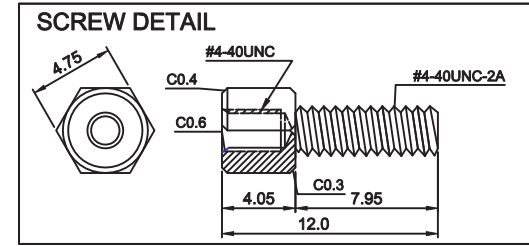
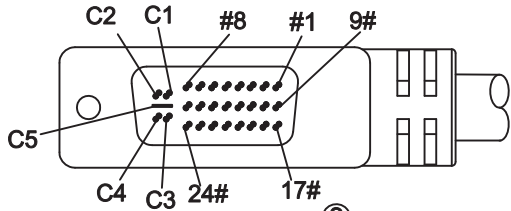


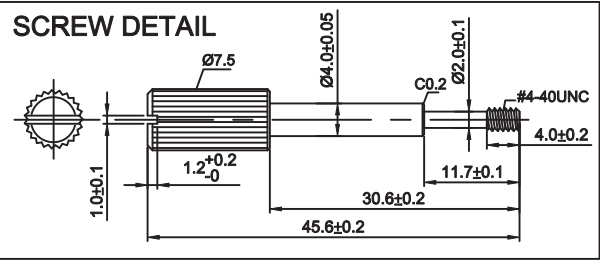
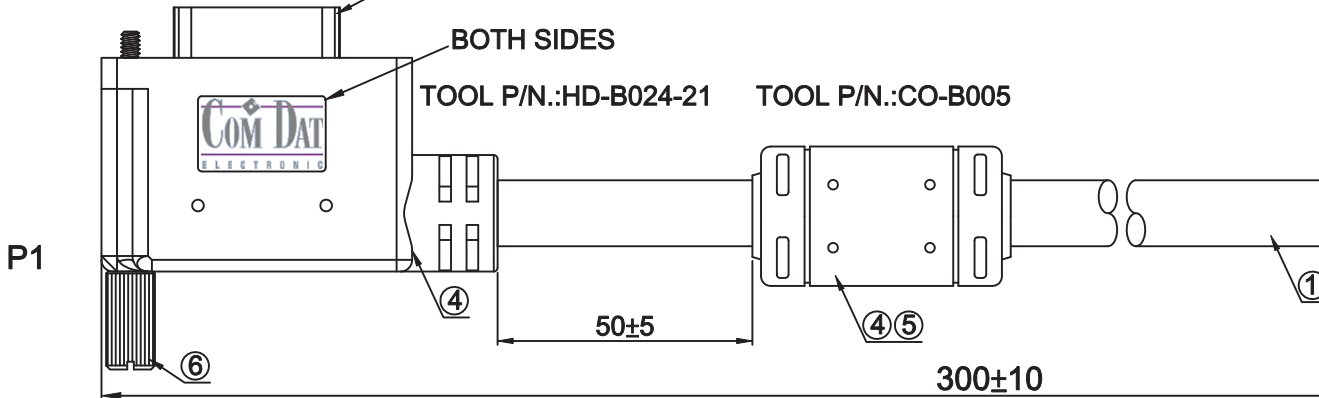
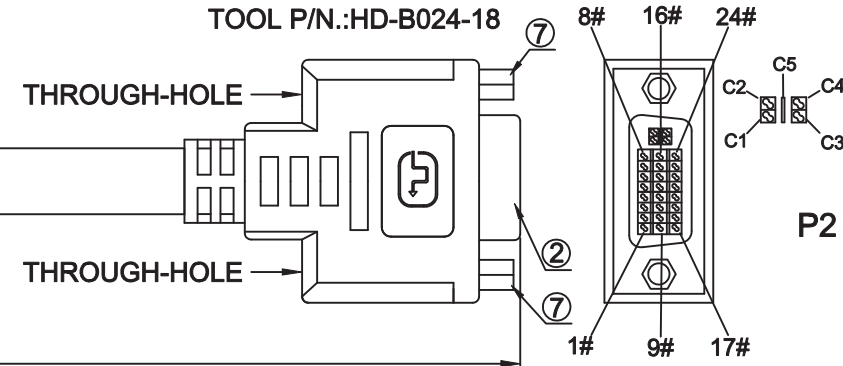
RoHS COMPLIANT

DESCRIPTION CONTROL			
REV	DESC	DATE	APP
A	FIRST RELEASE	2014/05/05	

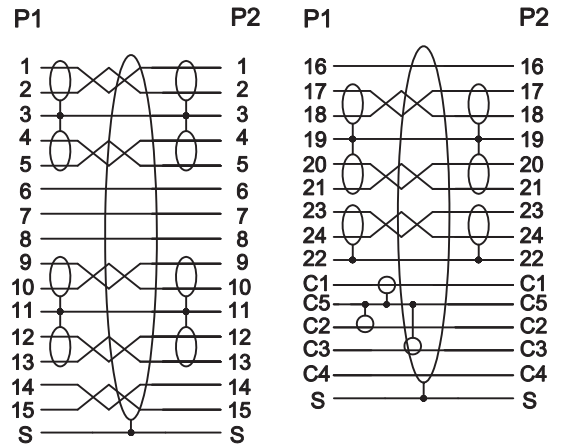
DVI(24+5) MALE



DVI(24+5) FEMALE



PIN ASSIGNMENT



NOTES:

- PIN ASSIGNMENT SEE TO WIRE LIST.
- ELECTRICAL TEST CONDITION:
 - 100% OPEN, SHORT & MISWIRE TEST,
 - INSULATOR RESISTANCE: 20 Mohm MIN. DC 300V 0.01sec.
 - CONTACT RESISTANCE: 1 ohm MAX.

ITEM	QTY	PART NUMBER	DESCRIPTION
7	2	C0234	#4-40UNC 4.75*12.0MM, Ni PLATED.
6	1	C0037	#4-40UNC 7.5*45.6MM SCREW, NICKL PLATED.
5	1	T0053	FERRITE CORE: 17.5*28.5*12.8MM.
4		G0001	ALL CONNECTORS OVERMOLD BLACK PVC.
3	1	A0097	DVI(24+5) MALE GOLD FLASH CONTACTS 15U", WHITE INSULATOR.
2	1	A0490	DVI(24+5) FEMALE GOLD FLASH CONTACTS 3U", WHITE INSULATOR, BACK NUTS.
1	1	E0287	[28#*3COAX+(28#*1P+D+FAM)*7PCS+28#*1P+28#*5C]+AM+B-BLACK OD:10.5MM UL20276

ComDat ELECTRONIC GmbH

	REV.	DWG NO:	
	A	CUSTOMER:	
DRAW, BY: <i>Lai ziqiang</i>		CUSTOMER P/N: KWDVI03(R)	
CHECK, BY:	SCALE	UNIT	SHEET
APP, BY:	FREE	mm	1/1